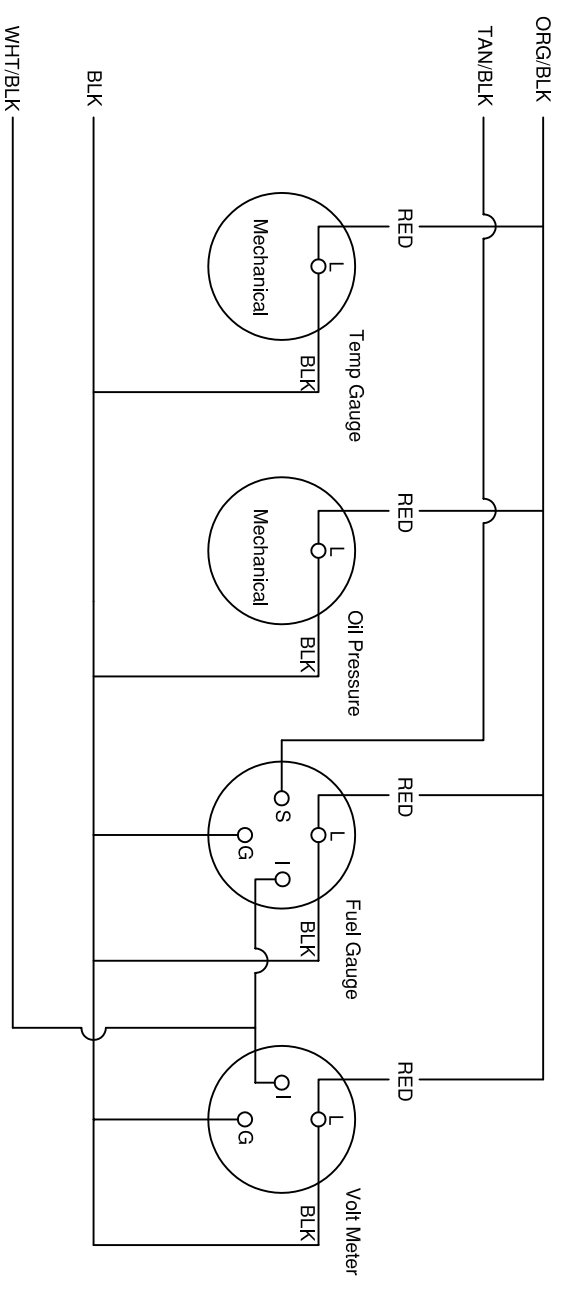


REVISIONS		
REV	DESCRIPTION	DATE
0	Original	11/13/06

Aftermarket Gauge Wiring Diagram



L = Light
 I = Power
 S = Signal
 G = Ground

For Jeep Wrangler YJ Year 1991, 1992

This drawing is the proprietary property of ITS A NEW JEEP THING. Use, disclosure or reproduction without written permission of ITS A NEW JEEP THING is prohibited.

ITS A NEW JEEP THING	
TITLE:	Wiring Diagram Instrument Panel
Size	B
DRAWING No.	IP-WRG-91-92-1
Scale:	NTS
WEIGHT	N/A
SHT	1
OF	1
REV	0

DATE	11/13/06
DRAWN:	TLB